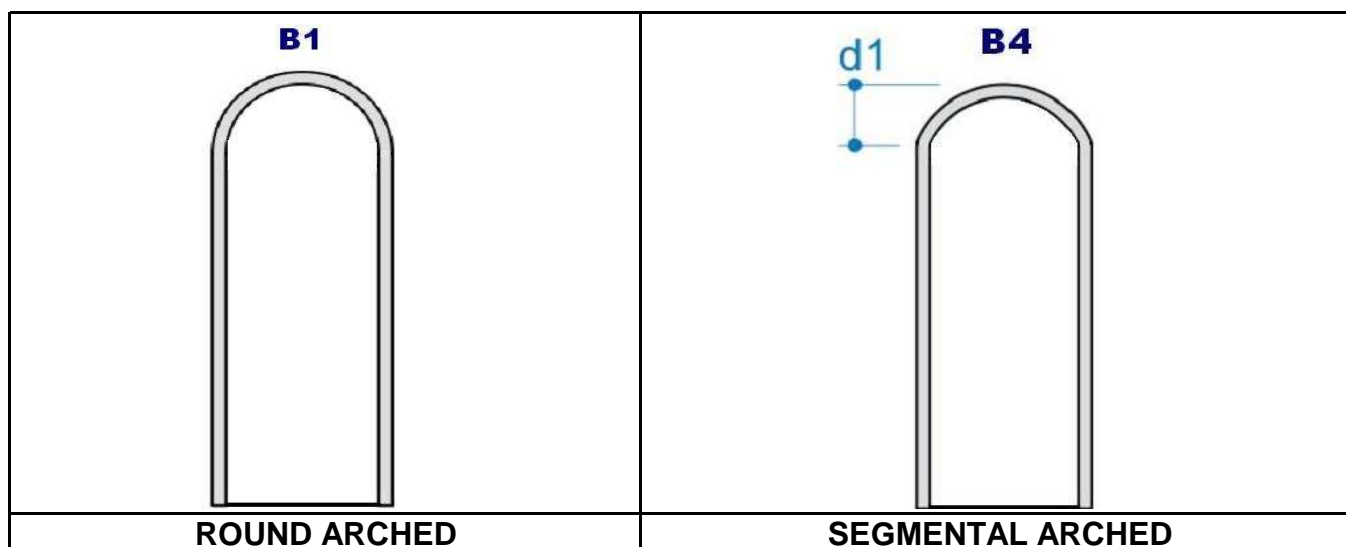


SECURITY LINE  
DOORS

LINE 883 - ARCHED DOOR  
SINGLE AND DOUBLE LEAF

# LINE 883 - ARCHED DOOR - SINGLE LEAF



Possible dimensions
W. from 700 to 1000 mm
H. from 1900 to 2600 mm
(steps of 10mm)

Security Door	<b>2.113,28</b>
Subframe	<b>460,72</b>
Inside Handle - Bronzed	<b>38,69</b>
Outside Handle - Bronzed	<b>27,87</b>
<b>Door prepared for inside/outside finishing panels with panel-fixing metal frames.</b>	<b>2.611,44</b>

**MINIMUM THICKNESS FOR INSIDE FINISHING PANELS: 10MM**  
**For Finishing Panels see Section B, Chapter 19 "Finishing Panels for arched door".**

## STANDARD COMPONENTS (\*)

Inside+outside finishing panels to choose among standard flat melamine panels (which are shrink wrapped) up to a maximum height of 2450mm: Tang.04 - Tang.05 - Cherry - Mahogany - Italian Walnut - White Ral 9010
Security locking system with core with double bitted key
Cover made of 30/10 thick steel sheet to protect the locking system
Drill proof manganese cover to protect mechanical components inside of a security locking system
Core with double bitted master key
Interchangeable core with 5 double bitted keys
Opening limiter (except in door models with electric latch)
Bronzed aluminium finishing (inside handle, outside fixed knob, plates, opening limiter knob)
Inside service lock and 5 fixed deadbolts on the hinge side
Wide-angle peephole
Doorleaf made of two galvanized steel sheets (16/10 thick)
Thermal insulation with polyurethane between two steel sheets
Black tubular rubber gasket on three side of the leaf and brown gasket on three side of the frame
Outside and inside panel-fixing metal frames plasticized in brown colour
Brown plastic covers for lateral deadbolts projecting out of the door
Brown plastic covers for lateral deadbolts and fixed deadbolts projecting into the frame and for footers
Couples of adjustable hinges on 3 axes with brown hinge covers and nut covers
Subframe made of 20/10 with anchors to wall and fixing holes
Frame made of 20/10 galvanized and epoxy coated in brown colour RAL 8017
Weatherstrip bar or standard bottom rebate 18mm high
8 screws fixing the frame to the subframe and screw covers

# EXTRA

CODE	DESCRIPTION	PRICE	
<b>REBATE FINISHING</b>			
BA1/FS	Extra cost for out of standard bottom rebate (from 10 to 15 mm)	13,23	
-	Threshold bar for doors with weatherstrip bar	120,00	
-	Thermal break threshold for door frame (only for watertight subframes)	145,60	
COPCER/O	Hinge covers + nut covers (complete kit)	13,46	
COPCER/A	Hinge covers + nut covers aluminium mat chrome colour (complete kit)	13,46	
COPCER/B	Hinge covers + nut covers white Ral 9010 (complete kit)	13,46	
COPCER/N	Hinge covers + nut covers black Ral 9005 (complete kit)	13,46	
COPCER/V	Hinge covers + nut covers green Ral 6005 (complete kit)	13,46	
CR1/9010	Extra cost for inside panel-fixing metal frames plasticized in white Ral 9010	31,20	
CR1/NOCE	Extra cost for inside panel-fixing metal frames plasticized in WALNUT	31,20	
CR1/9006	Extra cost for inside panel-fixing metal frames plasticized in grey Ral 9006	31,20	
CR1/NE	Extra cost for inside panel-fixing metal frames plasticized in black Ral 9005	31,20	
CR1/RAL	Extra cost for inside panel-fixing metal frames plasticized in any RAL colours	130,63	
KITM..../9010	Extra cost for outside panel-fixing metal frames plasticized in white Ral 9010	31,20	
KITM..../9006	Extra cost for outside panel-fixing metal frames plasticized in grey Ral 9006	31,20	
KITM..../9005	Extra cost for outside panel-fixing metal frames plasticized in black Ral 9005	31,20	
KITM..../RAL	Extra cost for outside panel-fixing metal frames plasticized in any RAL colours	130,63	
<b>HANDLE</b>			
KITPLAITA/EST/OT	Outside Brass handle kit	40,25	
KITPLAITA/INT/OT	Inside Brass handle kit	66,25	
KITPLAITA/EST/BI	Outside White painted handle kit	54,08	
KITPLAITA/INT/BI	Inside White painted handle kit	61,36	
KITPLAITA/EST/NE	Outside Black painted handle kit	54,08	
KITPLAITA/INT/NE	Inside Black painted handle kit	61,36	
KITPLAITA/EST/A	Outside Silver handle kit	33,28	
KITPLAITA/INT/A	Inside Silver handle kit	42,64	
KITPLAITA/EST/F9	Outside F9 Chrome handle kit	32,24	
KITPLAITA/INT/F9	Inside F9 Chrome handle kit	42,64	
KITPLAITA/EST/CL	Outside Polished Chrome handle kit	51,17	
KITPLAITA/INT/CL	Inside Polished Chrome handle kit	89,02	
KITPLAMDV/INT/04	"Dibidoku" inside handle kit for panel 4 mm thick	123,40	
KITPLAMDV/INT/08	"Dibidoku" inside handle kit for panel 8 mm thick	123,40	
KITPLAMDV/INT/12	"Dibidoku" inside handle kit for panel 12 mm thick	123,40	
KITPLAMDV/EST	"Dibidoku" outside handle kit	82,57	
KITSPPIO/MDV	"Dibidoku" peephole kit	72,09	
KITPLAEVO/EST/A	Evotech outside handle kit (only without service cylinder) - Silver	48,83	
KITPLAEVO/INT/A	Evotech inside handle kit (only without service cylinder) - Silver	81,83	
45910	Door knocker - Brass	78,00	
45500	Security bar (only for pull opening door)	536,20	
<b>EXTRA COST FOR :</b>	<b>MODEL</b>	<b>PRICE FOR POLISHED CHROME FINISHING</b>	<b>PRICE FOR PAINTED FINISHING (PANTONE)</b>
<b>INSIDE HANDLE KIT SENSUNELS</b>	KORPO	151,42	359,42
	BLIP	193,02	401,02
	FLUKE	188,86	396,86
	TWIST	184,70	Not available
	SIKE	196,14	Not available
<b>OUTSIDE HANDLE KIT SENSUNELS</b> (if inside+outside handle)	KORPO	113,57	321,57
	BLIP	155,17	363,17
	FLUKE	151,01	359,01
	TWIST	146,85	Not available
	SIKE	158,29	Not available
47201/ELETR	Di.Bi. electronic peephole "BILLY"	249,60	
<b>SUP10</b>	<b>Pull-opening door</b>	<b>68,83</b>	

(1) For more than 5 panels, there is a 20% discount on the unit price of this price list. Nevertheless, DI.BI. Porte Blindate is not responsible for possible damages occurred during the assembly process.

# EXTRA

CODE	DESCRIPTION	PRICE
<b>FRAME AND SUBFRAME</b>		
SUP02	Extra cost for frame and subframe with reduced extension	<b>145,60</b>
SUP04	Extra cost to adjust door with not DI.BI. frame	<b>97,76</b>
SUPT6005	Frame painted in Green colour Ral 6005	<b>52,71</b>
SUPT9010	Frame painted in White colour RAL 9010	<b>52,71</b>
SUPT9005	Frame painted in Black colour RAL 9005	<b>52,71</b>
SUPT9006	Frame painted in Grey colour RAL 9006	<b>52,71</b>
SUPTRAL	Frame painted in any Ral colour (min. 10 pcs)	<b>145,60</b>
<b>LOCKING SYSTEMS AND MECHANICAL COMPONENTS</b>		
SER02/DX	Device for electric remote right hand opening 12V CC with transformer*	<b>273,66</b>
SER02/SX	Device for electric remote left hand opening 12V CC with transformer*	<b>273,66</b>
SER04/DX	Device for electrical remote right hand opening 12V CC with transformer and buffer battery*	<b>338,29</b>
SER04/SX	Device for electrical remote left hand opening 12V CC with tranformer and buffer battery*	<b>338,29</b>
3CER/R	Third adjustable hinge	<b>182,31</b>
SKITSEROM/(DX/SX)	OMEGA PLUS Locking System	<b>240,80</b>
SKITDEV/DX	Lateral deadbolt with two bolts right door	<b>35,36</b>
SKITDEV/SX	Lateral deadbolt with two bolts left door	<b>35,36</b>
<b>CYLINDERS</b>		
E3531/1-5	Poker cylinder (E 35-31), set of keys 1-5 (the first one is master key), for outside panel from 4 to 14 mm thick.	<b>72,80</b>
E4531/1-5	Poker cylinder (E 45-31), set of keys 1-5 (the first one is master key), for outside panel from 15 to 20 mm thick.	<b>93,60</b>
E3531/155	883 cylinder (E 35-31), set of keys 1-5-5 (the first one is master key), for outside panel from 4 to 14 mm thick.	<b>198,43</b>
E4531/155	883 cylinder (E 45-31), set of keys 1-5-5 (the first one is master key), for outside panel from 15 to 20 mm thick.	<b>237,59</b>
SKITCE0101Y/XX	Multilock cylinder I.P.: 4-20mm/O.P.: 4-15mm (XX=colour, Y=R/L)	<b>189,28</b>
SKITCE0102Y/XX	Multilock cylinder I.P.: 4-20mm/O.P.: 16-20mm (XX=colour, Y=R/L)	<b>227,76</b>
SKITCE0103Y/XX	Multilock cylinder I.P.: 4-20mm/O.P.: 25mm (XX=colour, Y=R/L)	<b>303,68</b>
SKITCE0104Y/XX	Multilock cylinder I.P.: 4-20mm/O.P.: 30mm (XX=colour, Y=R/L)	<b>306,80</b>
SKITCE0101Y/XX/T	Multilock cylinder I.P.: 4-20mm/O.P.: 4mm (XX=colour, Y=R/L) pulling	<b>260,00</b>
SKITCE0102Y/XX/T	Multilock cylinder I.P.: 4-20mm/O.P.: 15mm (XX=colour, Y=R/L) pulling	<b>267,28</b>
SKITCE0103Y/XX/T	Multilock cylinder I.P.: 4-20mm/O.P.: 16-20mm (XX=colour, Y=R/L) pulling	<b>280,80</b>
SKITCE0104Y/XX/T	Multilock cylinder I.P.: 4-20mm/O.P.: 25mm (XX=colour, Y=R/L) pulling	<b>284,96</b>
SKITCE0105Y/XX/T	Multilock cylinder I.P.: 4-20mm/O.P.: 30mm (XX=colour, Y=R/L) pulling	<b>287,04</b>
SKITCH0101Y/XX	Multilock cylinder I.P.: 4mm/O.P.: 4-15mm (XX=colour, Y=R/L) key/key	<b>264,16</b>
SKITCH0102Y/XX	Multilock cylinder I.P.: 4mm/O.P.: 16-20mm (XX=colour, Y=R/L) key/key	<b>307,84</b>
SKITCH0103Y/XX	Multilock cylinder I.P.: 4mm/O.P.: 25mm (XX=colour, Y=R/L) key/key	<b>314,08</b>
SKITCH0104Y/XX	Multilock cylinder I.P.: 4mm/O.P.: 30mm (XX=colour, Y=R/L) key/key	<b>316,16</b>
SKITCH0201Y/XX	Multilock cylinder I.P.: 14mm/O.P.: 4-15mm (XX=colour, Y=R/L) key/key	<b>304,72</b>
SKITCH0202Y/XX	Multilock cylinder I.P.: 14mm/O.P.: 16-20mm (XX=colour, Y=R/L) key/key	<b>312,00</b>
SKITCH0203Y/XX	Multilock cylinder I.P.: 14mm/O.P.: 25mm (XX=colour, Y=R/L) key/key	<b>327,60</b>
SKITCH0204Y/XX	Multilock cylinder I.P.: 14mm/O.P.: 30mm (XX=colour, Y=R/L) key/key	<b>327,60</b>
SKITCH0301Y/XX	Multilock cylinder I.P.: 15-20mm/O.P.: 4-15mm (XX=colour, Y=R/L) key/key	<b>307,84</b>
SKITCH0302Y/XX	Multilock cylinder I.P.: 15-20mm/O.P.: 16-20mm (XX=colour, Y=R/L) key/key	<b>323,44</b>
SKITCH0303Y/XX	Multilock cylinder I.P.: 15-20mm/O.P.: 25mm (XX=colour, Y=R/L) key/key	<b>327,60</b>
SKITCH0304Y/XX	Multilock cylinder I.P.: 15-20mm/O.P.: 30mm (XX=colour, Y=R/L) key/key	<b>343,20</b>
SKITCH0101Y/XX/T	Multilock cylinder I.P.: 4mm/O.P.: 4mm (XX=colour, Y=R/L) key/pulling key	<b>239,20</b>
SKITCH0102Y/XX/T	Multilock cylinder I.P.: 4mm/O.P.: 15mm (XX=colour, Y=R/L) key/pulling key	<b>254,80</b>
SKITCH0103Y/XX/T	Multilock cylinder I.P.: 4mm/O.P.: 16-20mm (XX=colour, Y=R/L) key/pulling key	<b>287,04</b>
SKITCH0104Y/XX/T	Multilock cylinder I.P.: 4mm/O.P.: 25mm (XX=colour, Y=R/L) key/pulling key	<b>290,16</b>
SKITCH0105Y/XX/T	Multilock cylinder I.P.: 4mm/O.P.: 30mm (XX=colour, Y=R/L) key/pulling key	<b>291,20</b>

\* Available only without inside service lock.

\*\* Available only with veneered panels.

# EXTRA

CODE	DESCRIPTION	PRICE
<b>CYLINDERS</b>		
SKITCH0201Y/XX/T	Multilock cylinder I.P.: 14mm/O.P.: 4mm (XX=colour, Y=R/L) key/pulling key	<b>254,80</b>
SKITCH0202Y/XX/T	Multilock cylinder I.P.: 14mm/O.P.: 15mm (XX=colour, Y=R/L) key/pulling key	<b>290,16</b>
SKITCH0203Y/XX/T	Multilock cylinder I.P.: 14mm/O.P.: 16-20mm (XX=colour, Y=R/L) key/pulling key	<b>291,20</b>
SKITCH0204Y/XX/T	Multilock cylinder I.P.: 14mm/O.P.: 25mm (XX=colour, Y=R/L) key/pulling key	<b>303,68</b>
SKITCH0205Y/XX/T	Multilock cylinder I.P.: 14mm/O.P.: 30mm (XX=colour, Y=R/L) key/pulling key	<b>303,68</b>
SKITCH0301Y/XX/T	Multilock cylinder I.P.: 15-20mm/O.P.: 4mm (XX=colour, Y=R/L) key/pulling key	<b>287,04</b>
SKITCH0302Y/XX/T	Multilock cylinder I.P.: 15-20mm/O.P.: 15mm (XX=colour, Y=R/L) key/pulling key	<b>291,20</b>
SKITCH0303Y/XX/T	Multilock cylinder I.P.: 15-20mm/O.P.: 16-20mm (XX=colour, Y=R/L) key/pulling key	<b>303,68</b>
SKITCH0304Y/XX/T	Multilock cylinder I.P.: 15-20mm/O.P.: 25mm (XX=colour, Y=R/L) key/pulling key	<b>303,68</b>
SKITCH0305Y/XX/T	Multilock cylinder I.P.: 15-20mm/O.P.: 30mm (XX=colour, Y=R/L) key/pulling key	<b>316,16</b>
KITSERITA01/XXX	Inside service lock kit with I.P. 4/20mm O.P. 4mm (xxx = colour code)	<b>27,04</b>
KITSERITA02/XXX	Inside service lock kit with I.P. 4/20mm O.P. 14/15mm (xxx = colour code)	<b>29,12</b>
KITSERITA03/XXX	Inside service lock kit with I.P. 4/20mm O.P. 16/20mm (xxx = colour code)	<b>31,20</b>
KITSERITA04/XXX	Inside service lock kit with I.P. 4/20mm O.P. 25mm (xxx = colour code)	<b>39,52</b>
KITSERITA05/XXX	Inside service lock kit with I.P. 4/20mm O.P. 30mm (xxx = colour code)	<b>41,60</b>
KITSERCH01/XXX	Inside service lock kit with I.P. 4mm, O.P. 4mm (xxx = colour code) key/key	<b>24,96</b>
KITSERCH02/XXX	Inside service lock kit with I.P. 4mm, O.P. 15/20mm (xxx = colour code) key/key	<b>39,52</b>
KITSERCH03/XXX	Inside service lock kit with I.P. 4mm, O.P. 25/30mm (xxx = colour code) key/key	<b>43,68</b>
KITSERCH04/XXX	Inside service lock kit with I.P. 14mm, O.P. 4mm (xxx = colour code) key/key	<b>37,44</b>
KITSERCH05/XXX	Inside service lock kit with I.P. 14mm, O.P. 14/15mm (xxx = colour code) key/key	<b>41,60</b>
KITSERCH06/XXX	Inside service lock kit with I.P. 14mm, O.P. 16/25mm (xxx = colour code) key/key	<b>43,68</b>
KITSERCH07/XXX	Inside service lock kit with I.P. 20mm, O.P. 4mm (xxx = colour code) key/key	<b>38,48</b>
KITSERCH08/XXX	Inside service lock kit with I.P. 20mm, O.P. 14/20mm (xxx = colour code) key/key	<b>40,56</b>
KITSERCH01/XXX/TI	Inside service lock kit with I.P. 4mm, O.P. 4mm (xxx = colour code) key/pulling key	<b>23,92</b>
KITSERCH02/XXX/TI	Inside service lock kit with I.P. 4mm, O.P. 15mm (xxx = colour code) key/pulling key	<b>37,44</b>
KITSERCH03/XXX/TI	Inside service lock kit with I.P. 4mm, O.P. 16/20mm (xxx = colour code) key/pulling key	<b>39,52</b>
KITSERCH04/XXX/TI	Inside service lock kit with I.P. 4mm, O.P. 25/30mm (xxx = colour code) key/pulling key	<b>43,68</b>
KITSERCH05/XXX/TI	Inside service lock kit with I.P. 14mm, O.P. 4mm (xxx = colour code) key/pulling key	<b>39,52</b>
KITSERCH06/XXX/TI	Inside service lock kit with I.P. 14mm, O.P. 15mm (xxx = colour code) key/pulling key	<b>41,60</b>
KITSERCH07/XXX/TI	Inside service lock kit with I.P. 14mm, O.P. 16-20mm (xxx = colour code) key/pulling key	<b>40,56</b>
KITSERCH08/XXX/TI	Inside service lock kit with I.P. 15/20mm, O.P. 4mm (xxx = colour code) key/pulling key	<b>39,52</b>
KITSERCH09/XXX/TI	Inside service lock kit with I.P. 15/20mm, O.P. 15mm (xxx = colour code) key/pulling key	<b>43,68</b>
KITSERCH10/XXX/TI	Inside service lock kit with I.P. 15/20mm, O.P. 16-20mm (xxx = colour code) key/pulling key	<b>40,56</b>
SUP12	Additional key for high security European cylinder	<b>41,60</b>
SUP21	Special keying system (KA - A opens B - MK - GMK - CC)	<b>TO BE ESTIM.</b>

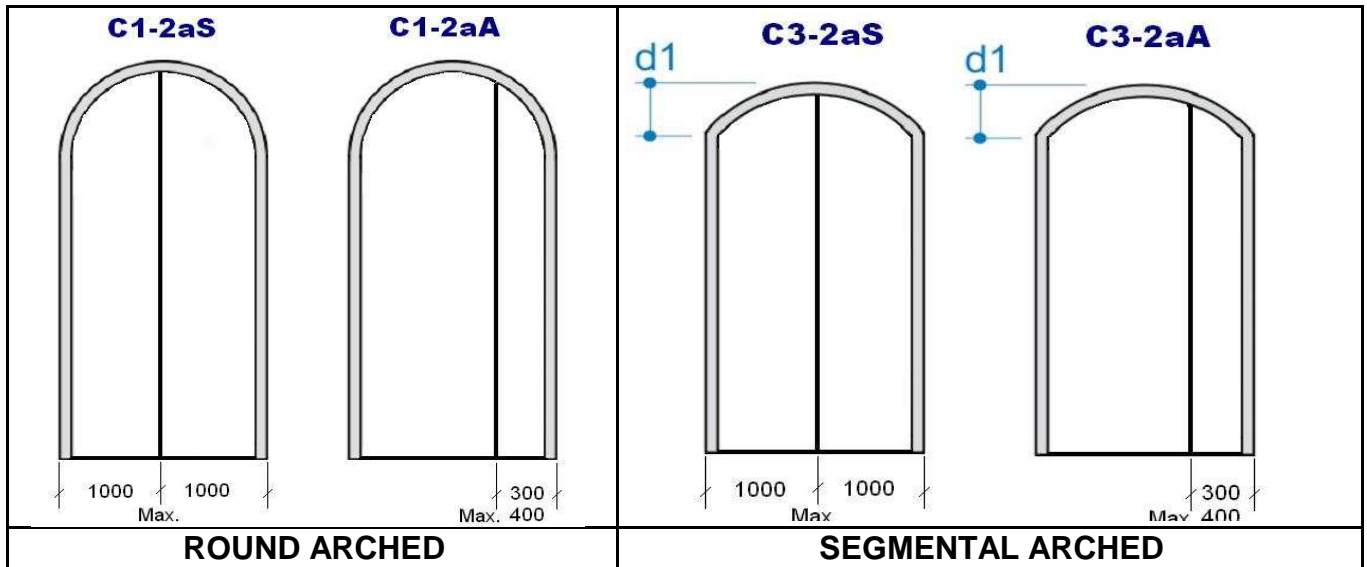
## MAGNETIC DEFENDER "KEY PROTECTOR"

45214/MN/A	Security kit Defender completed with 2 coded keys and code duplication card - Silver	<b>149,76</b>
45214/MN/CL	Security kit Defender completed with 2 coded keys and code duplication card - Polished Chrome	<b>149,76</b>
45214/MN/F9	Security kit Defender completed with 2 coded keys and code duplication card - F9	<b>149,76</b>
45214/MN/BR	Security kit Defender completed with 2 coded keys and code duplication card - Bronze	<b>149,76</b>
45214/MN/OT	Security kit Defender completed with 2 coded keys and code duplication card - Polished Brass	<b>149,76</b>
45214/MN/CH	Extra coded keys (unit price)    Extra coded keys (unit price)    Extra coded keys (unit price)	<b>33,28</b>

## MAGNETIC DEFENDER DOUBLE BITTED

45214/MNDP/A	Security kit Defender completed with 2 coded keys and code duplication card - Silver	<b>149,76</b>
45214/MNDP/O	Security kit Defender completed with 2 coded keys and code duplication card - Brass	<b>149,76</b>
45214/MN/DM/CH	Extra coded keys (unit price)	<b>33,28</b>

# LINE 883 - ARCHED DOOR - DOUBLE LEAF



Symmetric and Asymmetric	
W.	from 1000 to 2000 mm
H.	from 1900 to 2600 mm (steps of 10mm)
Security Door	<b>3.207,36</b>
Subframe	<b>514,80</b>
Inside Handle - Bronzed	<b>38,69</b>
Outside Handle - Bronzed	<b>27,87</b>
<b>Door prepared for inside/outside finishing panels with panel-fixing metal frames.</b>	<b>3.788,72</b>

Security Door	<b>3.207,36</b>
Subframe	<b>514,80</b>
Inside Handle - Bronzed	<b>38,69</b>
Outside Handle - Bronzed	<b>27,87</b>
<b>Door prepared for inside/outside finishing panels with panel-fixing metal frames.</b>	<b>3.788,72</b>

**MINIMUM THICKNESS FOR INSIDE FINISHING PANELS: 10MM**  
**For Finishing Panels see Section B, Chapter 19 "Finishing Panels for arched door".**

<b>STANDARD COMPONENTS (*)</b>	
Inside+outside finishing panels to choose among standard flat melamine panels (which are shrink wrapped) up to a maximum height of 2450mm: Tang.04 - Tang.05 - Cherry - Mahogany - Italian Walnut - White Ral 9010	
Security locking system with core with double bitted key	
Cover made of 30/10 thick steel sheet to protect the locking system	
Drill proof manganese cover to protect mechanical components inside of a security locking system	
Core with double bitted master key	
Interchangeable core with 5 double bitted keys	
Opening limiter (except in door models with electric latch)	
Bronzed aluminium finishing (inside handle, outside fixed knob, plates, opening limiter knob)	
Inside service lock and 5 fixed deadbolts on the hinge side	
Wide-angle peephole	
Doorleaf made of two galvanized steel sheets (16/10 thick)	
Thermal insulation with polyurethane between two steel sheets	
Black tubular rubber gasket on three side of the leaf and brown gasket on three side of the frame	
Outside and inside panel-fixing metal frames plasticized in brown colour	
Brown plastic covers for lateral deadbolts projecting out of the door	
Brown plastic covers for lateral deadbolts and fixed deadbolts projecting into the frame and for footers	
Couples of adjustable hinges on 3 axes with brown hinge covers and nut covers	
Subframe made of 20/10 with anchors to wall and fixing holes	
Frame made of 20/10 galvanized and epoxy coated in brown colour RAL 8017	
Weatherstrip bar or standard bottom rebate 18mm high	
8 screws fixing the frame to the subframe and screw covers	

# EXTRA

CODE	DESCRIPTION	PRICE
SUP10	Pull-opening door	68,83
<b>REBATE FINISHING</b>		
BA2/FS	Extra cost for out of standard bottom rebate (from 10 to 15 mm)	95,53
BR3/(xxx)	Weatherstrip bar (xxx = dimensions) for symmetric leaves door	52,71
BA3/(xxx)	Bottom rebate 18 mm for symmetric leaves door	52,71
BA3/FS	Out of standard bottom rebate (from 10 to 15 mm) for symmetric leaves door	95,53
-	Threshold with weatherstrip bar	240,00
-	Thermal break threshold for door frame (only for watertight subframes)	291,20
COPCER/O/2	Hinge covers + nut covers (complete kit)	26,35
COPCER/A/2	Hinge covers + nut covers aluminium mat chrome colour (complete kit)	26,35
COPCER/B/2	Hinge covers + nut covers white Ral 9010 (complete kit)	26,35
COPCER/N/2	Hinge covers + nut covers black Ral 9005 (complete kit)	26,35
COPCER/V/2	Hinge covers + nut covers green Ral 6005 (complete kit)	26,35
CR2/RAL	Extra cost for inside panel-fixing metal frames plasticized in any RAL colours	130,63
CR2/9010	Extra cost for inside panel-fixing metal frames plasticized in white Ral 9010	63,03
CR2/NOCE	Extra cost for inside panel-fixing metal frames plasticized in WALNUT	63,03
CR2/9006	Extra cost for inside panel-fixing metal frames plasticized in grey Ral 9006	63,03
CR2/NE	Extra cost for inside panel-fixing metal frames plasticized in black Ral 9005	63,03
KITM.../RAL/2	Extra cost for outside panel-fixing metal frames plasticized in any RAL colours	130,63
KITM.../9010/2	Extra cost for outside panel-fixing metal frames plasticized in white Ral 9010	63,03
KITM.../9006/2	Extra cost for outside panel-fixing metal frames plasticized in grey Ral 9006	63,03
KITM.../9005/2	Extra cost for outside panel-fixing metal frames plasticized in black Ral 9005	63,03

## HANDLE

KITPLAITA/EST/OT	Outside Brass handle kit	40,25
KITPLAITA/INT/OT	Inside Brass handle kit	66,25
KITPLAITA/EST/BI	Outside White painted handle kit	54,08
KITPLAITA/INT/BI	Inside White painted handle kit	61,36
KITPLAITA/EST/NE	Outside Black painted handle kit	54,08
KITPLAITA/INT/NE	Inside Black painted handle kit	61,36
KITPLAITA/EST/A	Outside Silver handle kit	33,28
KITPLAITA/INT/A	Inside Silver handle kit	42,64
KITPLAITA/EST/F9	Outside F9 Chrome handle kit	32,24
KITPLAITA/INT/F9	Inside F9 Chrome handle kit	42,64
KITPLAITA/EST/CL	Outside Polished Chrome handle kit	51,17
KITPLAITA/INT/CL	Inside Polished Chrome handle kit	89,02
KITPLAMDV/INT/04	"Dibidoku" inside handle kit for panel 4 mm thick	123,40
KITPLAMDV/INT/08	"Dibidoku" inside handle kit for panel 8 mm thick	123,40
KITPLAMDV/INT/12	"Dibidoku" inside handle kit for panel 12 mm thick	123,40
KITPLAMDV/EST	"Dibidoku" outside handle kit	82,57
KITSPPIO/MDV	"Dibidoku" peephole kit	72,09
KITPLAEVO/EST/A	Evotech outside handle kit (only without service cylinder) - Silver	48,83
KITPLAEVO/INT/A	Evotech inside handle kit (only without service cylinder) - Silver	81,83
45910	Door knocker - Brass	78,00
45500	Security bar (only for pull opening door)	536,20
47201/ELETR	Di.Bi. electronic peephole "BILLY"	249,60

EXTRA COST FOR :	MODEL	PRICE FOR POLISHED CHROME FINISHING	PRICE FOR PAINTED FINISHING (PANTONE)
<b>INSIDE HANDLE KIT SENSUNELS</b>	KORPO	151,42	359,42
	BLIP	193,02	401,02
	FLUKE	188,86	396,86
	TWIST	184,70	Not available
	SIKE	196,14	Not available
<b>OUTSIDE HANDLE KIT SENSUNELS</b> (se con maniglia passante)	KORPO	113,57	321,57
	BLIP	155,17	363,17
	FLUKE	151,01	359,01
	TWIST	146,85	Not available
	SIKE	158,29	Not available

(1) For more than 5 panels, there is a 20% discount on the unit price of this price list. Nevertheless, DI.BI. Porte Blindate is not responsible for possible damages occurred during the assembly process.

# EXTRA

CODE	DESCRIPTION	PRICE
<b>FRAME AND SUBFRAME</b>		
SUP02/2	Extra cost for frame and subframe with reduced extension	145,60
SUP04	Extra cost to adjust door with not DI.BI. frame	97,76
SUPT6005/2	Frame painted in Green colour Ral 6005	84,99
SUPT9010/2	Frame painted in White colour RAL 9010	84,99
SUPT9005/2	Frame painted in Black colour RAL 9005	84,99
SUPT9006/2	Frame painted in Grey colour RAL 9006	84,99
SUPTRAL/2	Frame painted in any Ral colour (min. 10 pcs)	234,78
<b>SECURITY LOCKING SYSTEMS AND MECHANICAL COMPONENTS</b>		
SER02/DX	Device for electric remote right hand opening 12V CC with transformer*	273,66
SER02/SX	Device for electric remote left hand opening 12V CC with transformer*	273,66
SER04/DX	Device for electrical remote right hand opening 12V CC with transformer and buffer battery*	338,29
SER04/SX	Device for electrical remote left hand opening 12V CC with tranformer and buffer battery*	338,29
3CER/R/2	Third adjustable hinge	364,10
SKITSEROM/(DX/SX)	OMEGA PLUS Locking System	240,80
SKITDEV/DX	Lateral deadbolt with two bolts right door	35,36
SKITDEV/SX	Lateral deadbolt with two bolts left door	35,36
<b>CYLINDERS</b>		
E3531/1-5	Poker cylinder (E 35-31), set of keys 1-5 (the first one is master key), for outside panel from 4 to 14 mm thick.	72,80
E4531/1-5	Poker cylinder (E 45-31), set of keys 1-5 (the first one is master key), for outside panel from 15 to 20 mm thick.	93,60
E3531/155	883 cylinder (E 35-31), set of keys 1-5-5 (the first one is master key), for outside panel from 4 to 14 mm thick.	198,43
E4531/155	883 cylinder (E 45-31), set of keys 1-5-5 (the first one is master key), for outside panel from 15 to 20 mm thick.	237,59
SKITCE0101Y/XX	Multilock cylinder I.P.: 4-20mm/O.P.: 4-15mm (XX=colour, Y=R/L)	189,28
SKITCE0102Y/XX	Multilock cylinder I.P.: 4-20mm/O.P.: 16-20mm (XX=colour, Y=R/L)	227,76
SKITCE0103Y/XX	Multilock cylinder I.P.: 4-20mm/O.P.: 25mm (XX=colour, Y=R/L)	303,68
SKITCE0104Y/XX	Multilock cylinder I.P.: 4-20mm/O.P.: 30mm (XX=colour, Y=R/L)	306,80
SKITCE0101Y/XX/T	Multilock cylinder I.P.: 4-20mm/O.P.: 4mm (XX=colour, Y=R/L) pulling	260,00
SKITCE0102Y/XX/T	Multilock cylinder I.P.: 4-20mm/O.P.: 15mm (XX=colour, Y=R/L) pulling	267,28
SKITCE0103Y/XX/T	Multilock cylinder I.P.: 4-20mm/O.P.: 16-20mm (XX=colour, Y=R/L) pulling	280,80
SKITCE0104Y/XX/T	Multilock cylinder I.P.: 4-20mm/O.P.: 25mm (XX=colour, Y=R/L) pulling	284,96
SKITCE0105Y/XX/T	Multilock cylinder I.P.: 4-20mm/O.P.: 30mm (XX=colour, Y=R/L) pulling	287,04
SKITCH0101Y/XX	Multilock cylinder I.P.: 4mm/O.P.: 4-15mm (XX=colour, Y=R/L) key/key	264,16
SKITCH0102Y/XX	Multilock cylinder I.P.: 4mm/O.P.: 16-20mm (XX=colour, Y=R/L) key/key	307,84
SKITCH0103Y/XX	Multilock cylinder I.P.: 4mm/O.P.: 25mm (XX=colour, Y=R/L) key/key	314,08
SKITCH0104Y/XX	Multilock cylinder I.P.: 4mm/O.P.: 30mm (XX=colour, Y=R/L) key/key	316,16
SKITCH0201Y/XX	Multilock cylinder I.P.: 14mm/O.P.: 4-15mm (XX=colour, Y=R/L) key/key	304,72
SKITCH0202Y/XX	Multilock cylinder I.P.: 14mm/O.P.: 16-20mm (XX=colour, Y=R/L) key/key	312,00
SKITCH0203Y/XX	Multilock cylinder I.P.: 14mm/O.P.: 25mm (XX=colour, Y=R/L) key/key	327,60
SKITCH0204Y/XX	Multilock cylinder I.P.: 14mm/O.P.: 30mm (XX=colour, Y=R/L) key/key	327,60
SKITCH0301Y/XX	Multilock cylinder I.P.: 15-20mm/O.P.: 4-15mm (XX=colour, Y=R/L) key/key	307,84
SKITCH0302Y/XX	Multilock cylinder I.P.: 15-20mm/O.P.: 16-20mm (XX=colour, Y=R/L) key/key	323,44
SKITCH0303Y/XX	Multilock cylinder I.P.: 15-20mm/O.P.: 25mm (XX=colour, Y=R/L) key/key	327,60
SKITCH0304Y/XX	Multilock cylinder I.P.: 15-20mm/O.P.: 30mm (XX=colour, Y=R/L) key/key	343,20
SKITCH0101Y/XX/T	Multilock cylinder I.P.: 4mm/O.P.: 4mm (XX=colour, Y=R/L) key/pulling key	239,20
SKITCH0102Y/XX/T	Multilock cylinder I.P.: 4mm/O.P.: 15mm (XX=colour, Y=R/L) key/pulling key	254,80
SKITCH0103Y/XX/T	Multilock cylinder I.P.: 4mm/O.P.: 16-20mm (XX=colour, Y=R/L) key/pulling key	287,04
SKITCH0104Y/XX/T	Multilock cylinder I.P.: 4mm/O.P.: 25mm (XX=colour, Y=R/L) key/pulling key	290,16
SKITCH0105Y/XX/T	Multilock cylinder I.P.: 4mm/O.P.: 30mm (XX=colour, Y=R/L) key/pulling key	291,20

\* Available only without inside service lock.

\*\* Available only with veneered panels.



# EXTRA

CODE	DESCRIPTION	PRICE
<b>CYLINDERS</b>		
SKITCH0201Y/XX/T	Multilock cylinder I.P.: 14mm/O.P.: 4mm (XX=colour, Y=R/L) key/pulling key	<b>254,80</b>
SKITCH0202Y/XX/T	Multilock cylinder I.P.: 14mm/O.P.: 15mm (XX=colour, Y=R/L) key/pulling key	<b>290,16</b>
SKITCH0203Y/XX/T	Multilock cylinder I.P.: 14mm/O.P.: 16-20mm (XX=colour, Y=R/L) key/pulling key	<b>291,20</b>
SKITCH0204Y/XX/T	Multilock cylinder I.P.: 14mm/O.P.: 25mm (XX=colour, Y=R/L) key/pulling key	<b>303,68</b>
SKITCH0205Y/XX/T	Multilock cylinder I.P.: 14mm/O.P.: 30mm (XX=colour, Y=R/L) key/pulling key	<b>303,68</b>
SKITCH0301Y/XX/T	Multilock cylinder I.P.: 15-20mm/O.P.: 4mm (XX=colour, Y=R/L) key/pulling key	<b>287,04</b>
SKITCH0302Y/XX/T	Multilock cylinder I.P.: 15-20mm/O.P.: 15mm (XX=colour, Y=R/L) key/pulling key	<b>291,20</b>
SKITCH0303Y/XX/T	Multilock cylinder I.P.: 15-20mm/O.P.: 16-20mm (XX=colour, Y=R/L) key/pulling key	<b>303,68</b>
SKITCH0304Y/XX/T	Multilock cylinder I.P.: 15-20mm/O.P.: 25mm (XX=colour, Y=R/L) key/pulling key	<b>303,68</b>
SKITCH0305Y/XX/T	Multilock cylinder I.P.: 15-20mm/O.P.: 30mm (XX=colour, Y=R/L) key/pulling key	<b>316,16</b>
KITSERITA01/XXX	Inside service lock kit with I.P. 4/20mm O.P. 4mm (xxx = colour code)	<b>27,04</b>
KITSERITA02/XXX	Inside service lock kit with I.P. 4/20mm O.P. 14/15mm (xxx = colour code)	<b>29,12</b>
KITSERITA03/XXX	Inside service lock kit with I.P. 4/20mm O.P. 16/20mm (xxx = colour code)	<b>31,20</b>
KITSERITA04/XXX	Inside service lock kit with I.P. 4/20mm O.P. 25mm (xxx = colour code)	<b>39,52</b>
KITSERITA05/XXX	Inside service lock kit with I.P. 4/20mm O.P. 30mm (xxx = colour code)	<b>41,60</b>
KITSERCH01/XXX	Inside service lock kit with I.P. 4mm, O.P. 4mm (xxx = colour code) key/key	<b>24,96</b>
KITSERCH02/XXX	Inside service lock kit with I.P. 4mm, O.P. 15/20mm (xxx = colour code) key/key	<b>39,52</b>
KITSERCH03/XXX	Inside service lock kit with I.P. 4mm, O.P. 25/30mm (xxx = colour code) key/key	<b>43,68</b>
KITSERCH04/XXX	Inside service lock kit with I.P. 14mm, O.P. 4mm (xxx = colour code) key/key	<b>37,44</b>
KITSERCH05/XXX	Inside service lock kit with I.P. 14mm, O.P. 14/15mm (xxx = colour code) key/key	<b>41,60</b>
KITSERCH06/XXX	Inside service lock kit with I.P. 14mm, O.P. 16/25mm (xxx = colour code) key/key	<b>43,68</b>
KITSERCH07/XXX	Inside service lock kit with I.P. 20mm, O.P. 4mm (xxx = colour code) key/key	<b>38,48</b>
KITSERCH08/XXX	Inside service lock kit with I.P. 20mm, O.P. 14/20mm (xxx = colour code) key/key	<b>40,56</b>
KITSERCH01/XXX/TI	Inside service lock kit with I.P. 4mm, O.P. 4mm (xxx = colour code) key/pulling key	<b>23,92</b>
KITSERCH02/XXX/TI	Inside service lock kit with I.P. 4mm, O.P. 15mm (xxx = colour code) key/pulling key	<b>37,44</b>
KITSERCH03/XXX/TI	Inside service lock kit with I.P. 4mm, O.P. 16/20mm (xxx = colour code) key/pulling key	<b>39,52</b>
KITSERCH04/XXX/TI	Inside service lock kit with I.P. 4mm, O.P. 25/30mm (xxx = colour code) key/pulling key	<b>43,68</b>
KITSERCH05/XXX/TI	Inside service lock kit with I.P. 14mm, O.P. 4mm (xxx = colour code) key/pulling key	<b>39,52</b>
KITSERCH06/XXX/TI	Inside service lock kit with I.P. 14mm, O.P. 15mm (xxx = colour code) key/pulling key	<b>41,60</b>
KITSERCH07/XXX/TI	Inside service lock kit with I.P. 14mm, O.P. 16-20mm (xxx = colour code) key/pulling key	<b>40,56</b>
KITSERCH08/XXX/TI	Inside service lock kit with I.P. 15/20mm, O.P. 4mm (xxx = colour code) key/pulling key	<b>39,52</b>
KITSERCH09/XXX/TI	Inside service lock kit with I.P. 15/20mm, O.P. 15mm (xxx = colour code) key/pulling key	<b>43,68</b>
KITSERCH10/XXX/TI	Inside service lock kit with I.P. 15/20mm, O.P. 16-20mm (xxx = colour code) key/pulling key	<b>40,56</b>
SUP12	Additional key for high security European cylinder	<b>41,60</b>
SUP21	Special keying system (KA - A opens B - MK - GMK - CC)	<b>TO BE ESTIM.</b>

## MAGNETIC DEFENDER "KEY PROTECTOR"

45214/MN/A	Security kit Defender completed with 2 coded keys and code duplication card - Silver	<b>149,76</b>
45214/MN/CL	Security kit Defender completed with 2 coded keys and code duplication card - Polished Chrome	<b>149,76</b>
45214/MN/F9	Security kit Defender completed with 2 coded keys and code duplication card - F9	<b>149,76</b>
45214/MN/BR	Security kit Defender completed with 2 coded keys and code duplication card - Bronze	<b>149,76</b>
45214/MN/OT	Security kit Defender completed with 2 coded keys and code duplication card - Polished Brass	<b>149,76</b>
45214/MN/CH	Extra coded keys (unit price)    Extra coded keys (unit price)    Extra coded keys (unit price)	<b>33,28</b>

## MAGNETIC DEFENDER - DOUBLE BITTED

45214/MNDP/A	Security kit Defender completed with 2 coded keys and code duplication card - Silver	<b>149,76</b>
45214/MNDP/O	Security kit Defender completed with 2 coded keys and code duplication card - Brass	<b>149,76</b>
45214/MN/DM/CH	Extra coded keys (unit price)	<b>33,28</b>

# EXTRA

---

## PACKAGING FOR ARCHED 883

---

**Note:**

Packaging charges are net prices.

<b>PACKAGING FOR SECURITY DOOR / SINGLE FINISHING PANEL</b>	<b>QUANTITY</b>	<b>UNIT PRICE</b>	
<b>LIGHT PACKAGING</b> (with or without subframe)	1	<b>IMB</b>	<b>6,46</b>
<b>HEAVY PACKAGING</b> by COURIER (with or without subframe)	1	<b>IMB00</b>	<b>27,15</b>